

Users Manual

Portable Air Gun Range

Patent Pending

Creedmoor Sports Inc.®
1405 S. Coast Hwy
Oceanside, CA 92054
(800) 273-3366

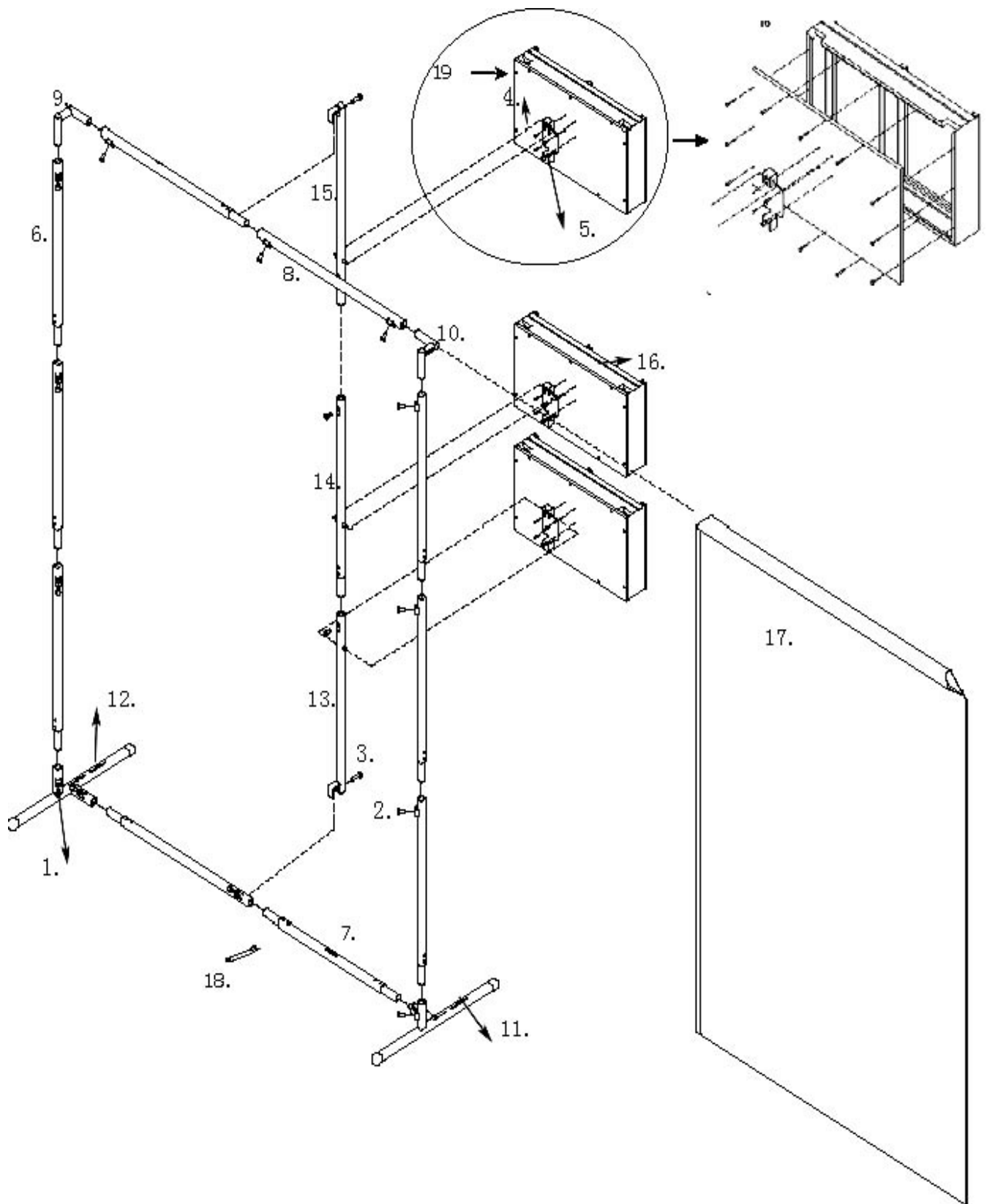


(Shown in a 3 firing point configuration)

Congratulations on the purchase of your new Creedmoor Portable Air Gun Range. Prior to using this device please ensure you read and understand the important safety measures found at the end of these instructions.

Using the below parts list and accompanying diagram, please ensure you have all necessary parts.

No.	Part name	Marking	Q'ty
1	M10 Nut (welded on frame already)		14 pcs
2	M10x15 Bolt		16 pcs
3	M10x39 Bolt		2 pcs
4	Attaching screw ST3.5x13		4 pcs
5	Hangar Bracket		1 pc
6	Vertical Bar		8 pcs
7	Bottom Horizontal Bar	BOTTOM	1 pc
8	Top Horizontal Bar	TOP FRONT	1 pc
9	Right Upper Corner	TOP RIGHT FRONT	1 pc
10	Left Upper Corner	TOP LEFT FRONT	1 pc
11	Base Bar Left	LEFT FRONT	1 pc
12	Base Bar Right	RIGHT FRONT	1 pc
13	Bottom Pole	BOTTOM	1 pc
14	Center Pole	CENTER	1 pc
15	Top Pole	TOP	1 pc
16	Target Box		1 pc
17	Curtain		1 pc
18	Wrench		1 pc
19	Attaching screw ST3.9 x30		12pcs



Assembly Instructions

BACKSTOP/FRAME

Step 1: Remove all components from black carry case.

Step 2: Unroll the roll-up case, remove the bars and separate them by type (picture 1).

- Eight of the bars are identical (standard) (part 6) in that they have both a male and female end, and have a single locking bolt near the female end.
- Two of the bars are unique (parts 7 and 8) in that one is female on both ends and one is male on both ends. They are marked “BOTTOM” and “TOP FRONT”.
- The two upper corner pieces (parts 9 and 10) will only work one way and are not interchangeable. They are marked “TOP LEFT FRONT” and “TOP RIGHT FRONT”.
- The bases (parts 11 and 12) are marked “LEFT FRONT” and “RIGHT FRONT”.



(Picture 1)

Step 3: Remove the bolts from the plastic bag and insert them into the two base pieces.

Step 4: Place the bases approximately 6 feet apart on the ground with the words “LEFT FRONT” and “RIGHT FRONT” facing up and towards the firing line.

Step 5: Join the two bases together using the part marked “BOTTOM” and one of the eight standard bars (picture 2). Ensure that the bolts are facing towards the rear.



(Picture 2)

Step 6: Attach three of the standard poles to the top of each base ensuring the bolts are oriented to the center/rear of the target (the same as the locking bolt affixed to the base) (picture 3). Finger tighten the locking bolts. Tightening them prior to completing assembly makes assembly more difficult.

Step 7: Attach the upper part marked “UPPER RIGHT FRONT” to the top of the uppermost standard bar on the right side base (picture 4).



(Picture 3)



(Picture 4)

Step 8: Join together the single remaining standard piece and the part marked “TOP FRONT” and attach them to the part marked “UPPER RIGHT FRONT” (picture 5). Ensure the locking bolt is facing down and away from firing line.

Step 9: With the black side facing to the rear, slide the curtain onto the top horizontal bar through the opening in the curtain (picture 6).

(Picture 5)



(Picture 6)



Step 10: Attach the part marked “UPPER LEFT FRONT” to the horizontal bar and then to the left side vertical support (picture 7). Tighten all loose bolts on the frame.

Step 11: Once all backstops are assembled join the curtains together using the Velcro strips (picture 8).



(Picture 7)



(Picture 8)

TARGET POLES

Step 1: Remove the three-piece target pole (parts 13, 14, and 15), the black storage bag, and the four bolts from the box.

Step 2: Join the three poles marked “TOP”, “CENTER” and “BOTTOM” together respectively.

Step 3: Insert the long bolts into the top and bottom poles.

Step 4: Use the two shorter bolts to lock the three poles together.

Step 5: Position one of the poles in the center of your completed curtain and evenly space the remaining poles to the left and right of the center pole. DO NOT USE THE WRENCH TO TIGHTEN THE BOLTS AT THE TOP OF THE TARGET POLE AS THIS WILL CAUSE THE CURTAIN TO WEAR. FINGER TIGHTEN ONLY.

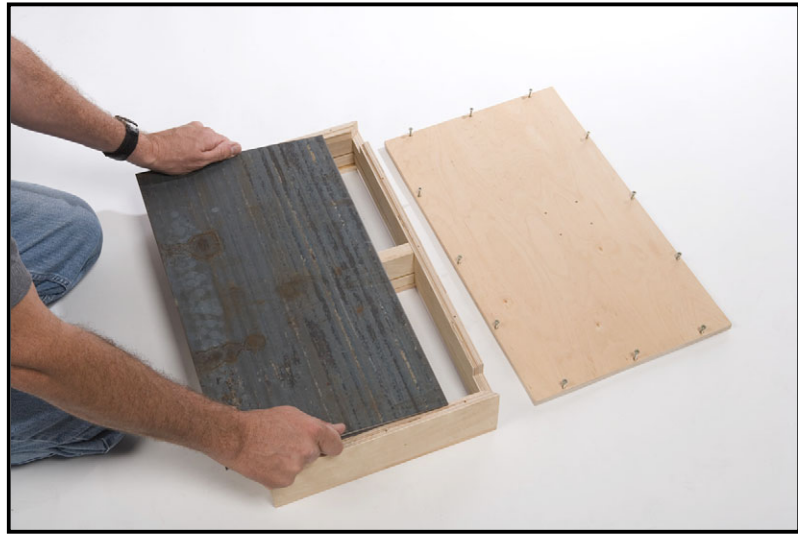
TARGET BOXES

Step 1: Remove the target boxes from the cardboard packaging but **DO NOT** throw away the cardboard squares that were included within the packing box. Those are cut so you may use them as your initial target backers.

Step 2: Remove the hanger bracket and four attaching screws taped to the inside of each box.

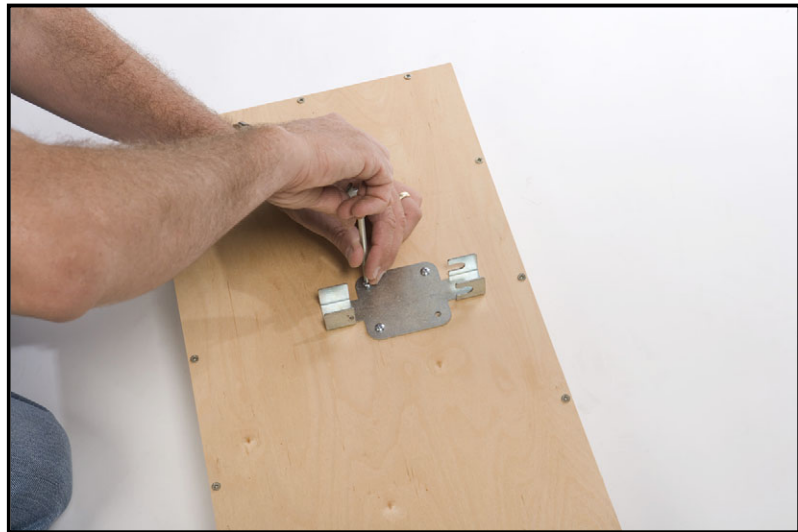
Step 3: Remove the back cover from each of the target boxes, insert the steel plate and replace the back cover of the box (picture 9).

(Picture 9)



Step 4: Using the four included screws and pre-drilled holes install the hanger bracket (picture 10). Be careful you do not over tighten the screws.

(Picture 10)



Step 5: Position the target boxes on the target poles at the desired height. (The pins are set so as to allow the targets to hang at a height corresponding to CMP and NRA regulations.)

Step 6: Slide the cardboard backer in the slot closest to the rear of the target box (picture 11). The purpose of the cardboard is to keep the spent pellets away from the back of the target paper and to reduce exposure to dust when changing targets or emptying the box of spent pellets.

Step 7: Slide the target into the slot just in front of the cardboard and behind the face trim (picture 12). (Note: The face trim has not been glued to the box as it is made to be replaced periodically.)

(Picture 11)



(Picture 12)



BE SURE TO READ THE BELOW SAFETY MEASURES PRIOR TO USING YOUR SYSTEM!

Important Safety Measures

- NEVER HANG TARGETS DIRECTLY ON THE CURTAIN. This curtain is designed to stop errant rounds only, not act as an impact area.
- Multiple and continued impacts in a concentrated area will adversely affect the ballistic properties of the curtain and may allow for a pellet to pass through.
- Never use any air rifle or pistol with a muzzle velocity of more than 600fps while using this system.
- Never use any pellet other than blunt tipped lead pellets.
- Always place the curtain against a wall or other barrier when shooting.
- Never fire with people standing directly behind the curtain.
- Never stand closer than 10 meters to the target when shooting.
- Always wear safety glasses when firing any rifle or pistol.
- When emptying the spent pellets from the trap always keep the cardboard divider in place, wear gloves, and protective surgical mask to avoid inhaling lead dust. Simply turn the boxes upside down and shake the pellets out through the two drain holes located on the top of each box.

CREEDMOOR SPORTS INC. IS NOT RESPONSIBLE FOR DAMAGE OR INJURIES WHICH OCCUR DURING THE USE OR MISUSE OF THIS PRODUCT.

Warranty: Creedmoor Sports guarantees system to be free of manufacturer's defects for a period of not more than 12 months from date of receipt. Creedmoor Sports Inc. at our discretion will replace or repair any defective components within same 12 months.